

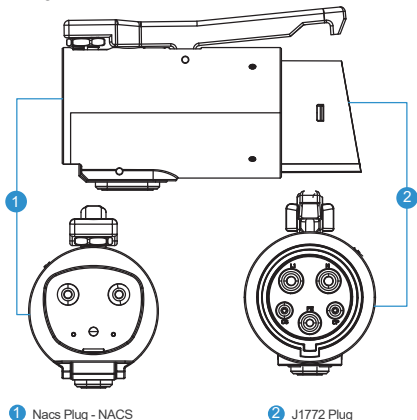
NACS TO J1772 ADAPTER

TESLA-J1772 User Manual



PRODUCTS :

- ★ The Nacs to J1772 is an adapter that allows to level 1 and level 2 Nacs chargers with a J1772 inlet.

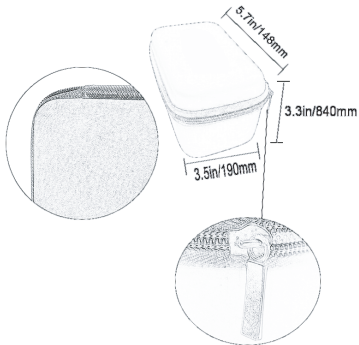


PORTABLE :

- ★ The Nacs Adapter is compact and durable, making it ideal for charging on the go; Keep it conveniently in your car to charge your electric vehicle quickly and easily

TRAVEL STORAGE CASE :

- ★ TRAVEL STORAGE CASE: The protection case provide full protection.



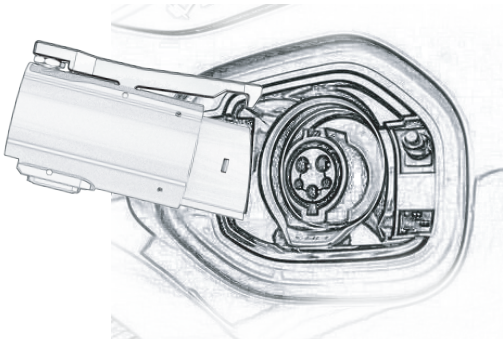
- ★ NACS to J1772 adapter storage case is made of premium eva, which is shockproof and dust resistance and skid-proof against impact.

COMPATIBILITY :

- ★ Compatible with the Nacs High Powered Wall Connectors, all generation of Destination Chargers, and Mobile Connectors. This electric car charging adapter has been CE. FCC certified and meets the strongest possible safety guidelines

HOW TO USE :

- ★ Simply plug your Tesla to J1772 adapter into the charging station first and then into your car. To remove it from your vehicle, simply authorize it from your car or on your phone.



- ★ The Nacs to J1772 Plug will allow you to charge any EV (Hyundai, Ford, KIA, Polestar, VinFast, Lexus, Toyota, etc.) with a Nacs plug. Whether you're visiting a friend or using a public Tesla charging station (besides superchargers) this adapter will allow you to charge your J1772 compatible vehicle.

WORKING PRINCIPLE :

- ★ When the adapter socket end is inserted into the Nacs charging pile plug, it can realize the interchange charging between the US standard AC charging plug and the Nacs charging pile.

SPECIFICATIONS :

- ★ Power : Charging speeds up to 20kW
- ★ Rated Voltage: 250V.
- ★ Amperage : Up to 80A

- ★ Conductor Material : Titanium Copper Alloy (we only use the most expensive premium materials, we don't cut corners).
- ★ Shell Material : PC+ABS (Insulator inflammability UL94 VO)
- ★ Operating Temperature: -40°C to +85°C.
- ★ Storage Temperature : -30°C to 85°C
- ★ Security : One Level switch
- ★ Sealing gasket: silicon rubber.
- ★ Security : locks into the vehicle while charging.
- ★ Certification: CE, FCC
- ★ Degree of protection : IP54 (Protection from dirt, dust, oil, and other non-corrosive material. Complete protection from contact with enclosed equipment. Protection from water, up to water projected by a nozzle against enclosure from any direction.

IMPORTANT:

- ★ Any 40A, 48A & 80A level 1 & level 2 Tesla charging station. Any EV with a J1772 charge port. NOT compatible with Nacs Superchargers

CAUTION :

- ★ It's not a toy, keep away from your children
- ★ Clean only with dry cloth
- ★ Avoid dismantling, dropping or heavy impact.

WARRANTY :

- ★ This product includes a 1 year warranty.
- ★ In case of misuse, mishandling, negligence, vehicle accidents or modifications, the warranty will be voided. Our warranty only covers manufacturing defects.